



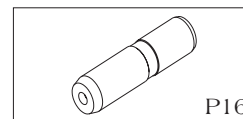
# PLAIN BEARING COMPONENTS



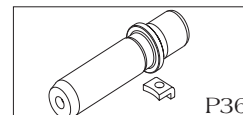
**Note: MDL "D" Style Plain Bearing Components are designed to be interchangeable with plain bearing components from "Danly/IEM" of the same size and type.**

"Danly/IEM" is a registered trademark of Connell Limited Partnership. MDL Mold & Die Components, Inc. is not connected, in any way, to Danly/IEM or Connell Limited Partnership.

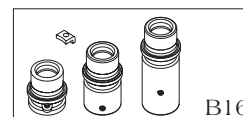
Straight Guide Posts ..... 04-05



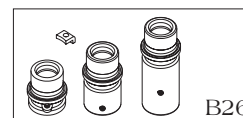
Demountable Guide Posts ..... 06-07



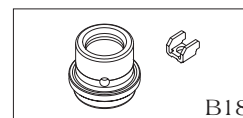
Demountable Steel Shoulder Bushings ..... 08-09



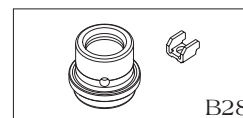
Demountable Bronze Plated Shoulder Bushings ..... 08-09



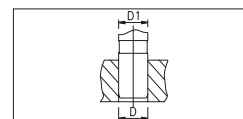
Demountable Low Profile Steel Bushings ..... 10



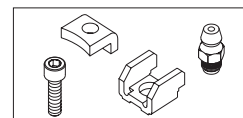
Demountable Low Profile Bronze Plated Bushings ..... 10



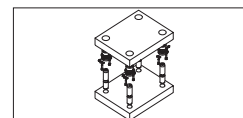
Bore Sizes Recommendations ..... 11



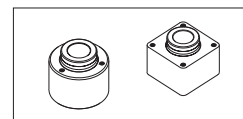
Clamps and Component Parts ..... 12



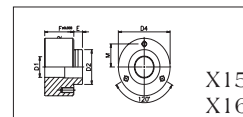
Assembly Options for MDL Guiding Components ..... 12



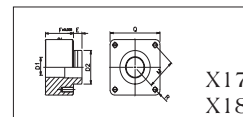
Demountable Steel Bosses ..... 13

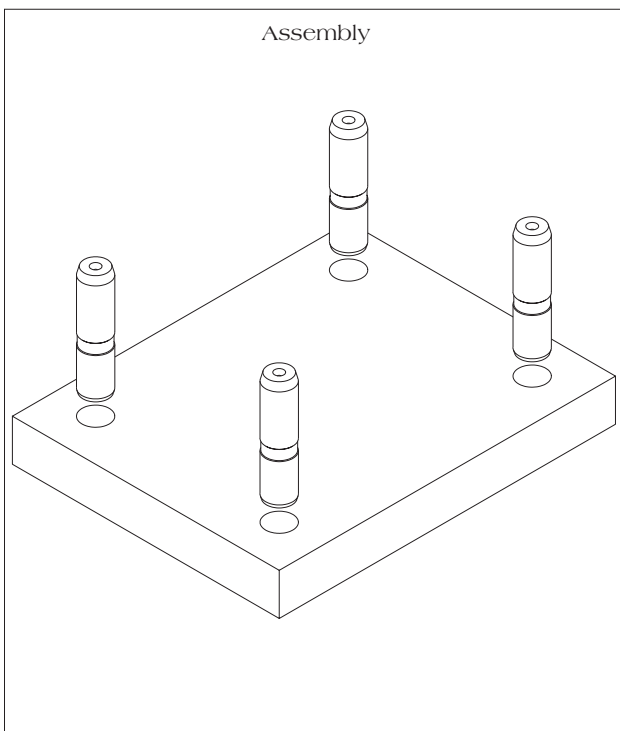
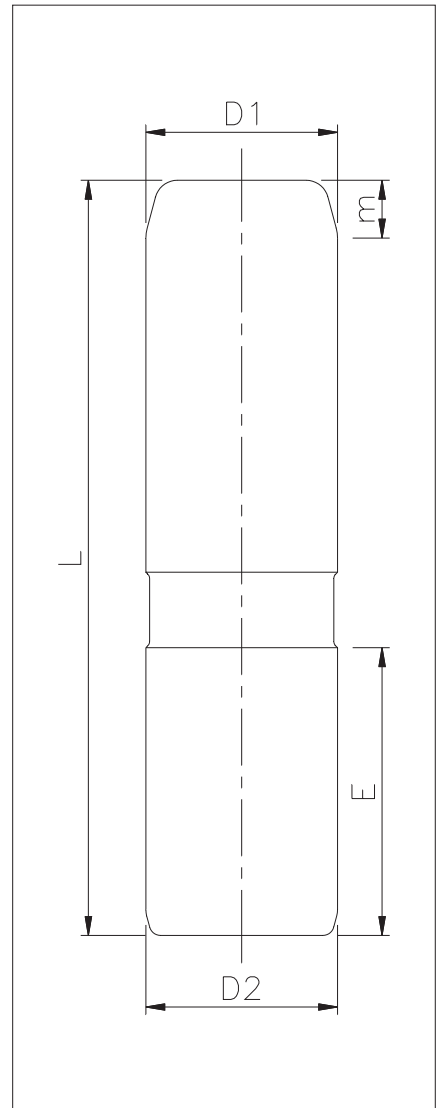
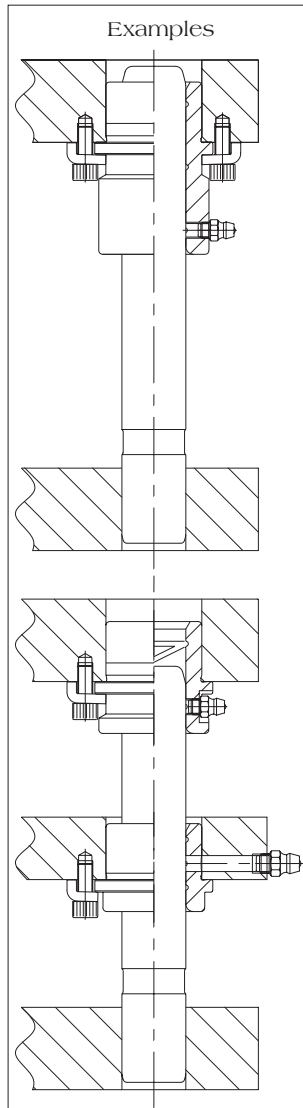
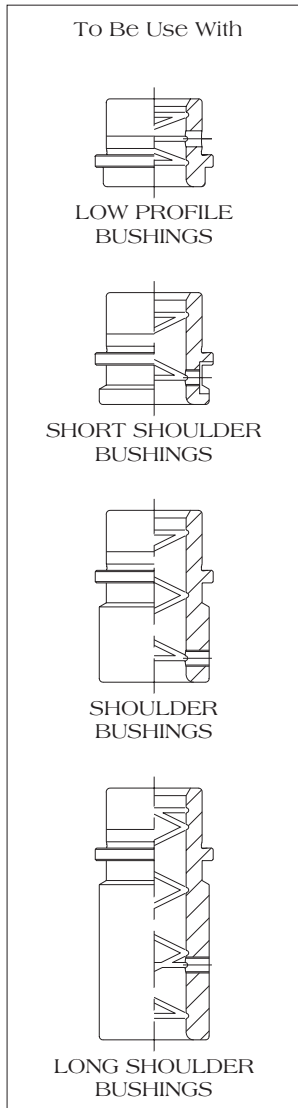
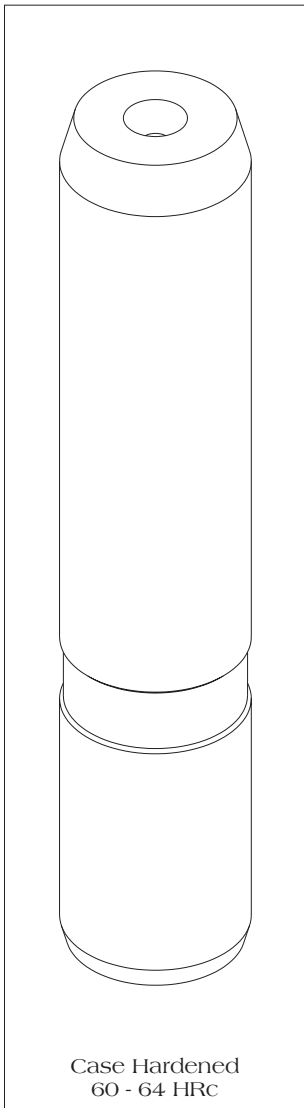


Demountable Round Steel Bosses ..... 14



Demountable Square Steel Bosses ..... 15





MDL Straight and Demountable Guide Posts feature bearing quality alloy steel, case hardened, precision ground with a surface finish better than  $Ra = 20 \mu\text{in}$  that assures long working life of Die Sets components.

**CAUTION:**

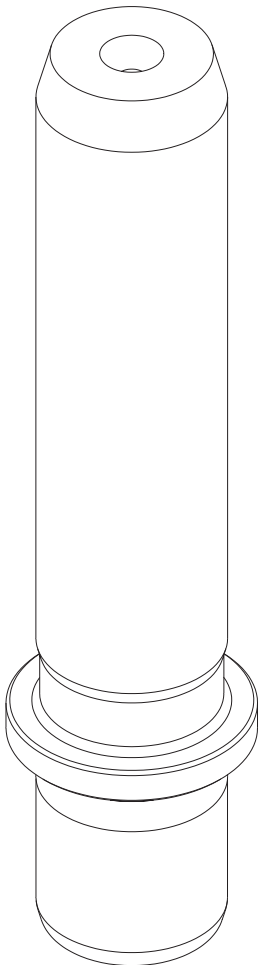
MDL Guide Posts, Straight or Demountable, should not be cut at the working end to avoid exposure of core of Guide Post which is not hardened to 60 - 64 HRC.



## Straight Guide Posts

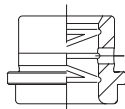
P16.DDD.LLL

D <sub>i</sub>	1	1 1/4	1 1/2	1 3/4	2	2 1/2	3
L	CATALOG NUMBER						
4.00	P16.008.016						
4.25	P16.008.017						
4.50	P16.008.018	P16.010.018	P16.012.018				
4.75	P16.008.019	P16.010.019	P16.012.019				
5.00	P16.008.020	P16.010.020	P16.012.020				
5.25	P16.008.021	P16.010.021	P16.012.021				
5.50	P16.008.022	P16.010.022	P16.012.022				
5.75	P16.008.023	P16.010.023	P16.012.023				
6.00	P16.008.024	P16.010.024	P16.012.024	P16.014.024	P16.016.024		
6.50	P16.008.026	P16.010.026	P16.012.026	P16.014.026	P16.016.026		
7.00	P16.008.028	P16.010.028	P16.012.028	P16.014.028	P16.016.028		
7.50	P16.008.030	P16.010.030	P16.012.030	P16.014.030	P16.016.030		
8.00	P16.008.032	P16.010.032	P16.012.032	P16.014.032	P16.016.032	P16.020.032	P16.024.032
8.50	P16.008.034	P16.010.034	P16.012.034	P16.014.034	P16.016.034	P16.020.034	P16.024.034
9.00	P16.008.036	P16.010.036	P16.012.036	P16.014.036	P16.016.036	P16.020.036	P16.024.036
10.00	P16.008.040	P16.010.040	P16.012.040	P16.014.040	P16.016.040	P16.020.040	P16.024.040
11.00	P16.008.044	P16.010.044	P16.012.044	P16.014.044	P16.016.044	P16.020.044	P16.024.044
12.00	P16.008.048	P16.010.048	P16.012.048	P16.014.048	P16.016.048	P16.020.048	P16.024.048
13.00				P16.014.052	P16.016.052	P16.020.052	P16.024.052
14.00				P16.014.056	P16.016.056	P16.020.056	P16.024.056
17.00					P16.016.068	P16.020.068	P16.024.068
20.00					P16.016.080	P16.020.080	P16.024.080
E	-	-	1.75	-	-	-	
E	1.50	1.75	2.00	2.25	2.50	3.50	
m	0.2756	0.4008					

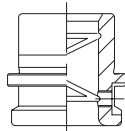


Case Hardened  
60 - 64 HRC

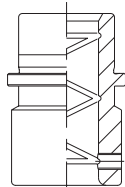
To Be Use With



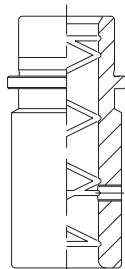
LOW PROFILE  
BUSHINGS



SHORT SHOULDER  
BUSHINGS

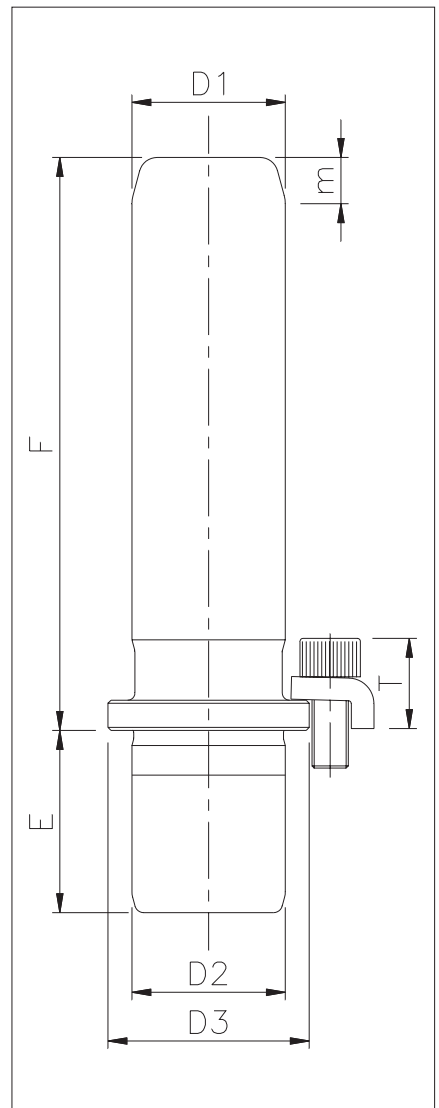
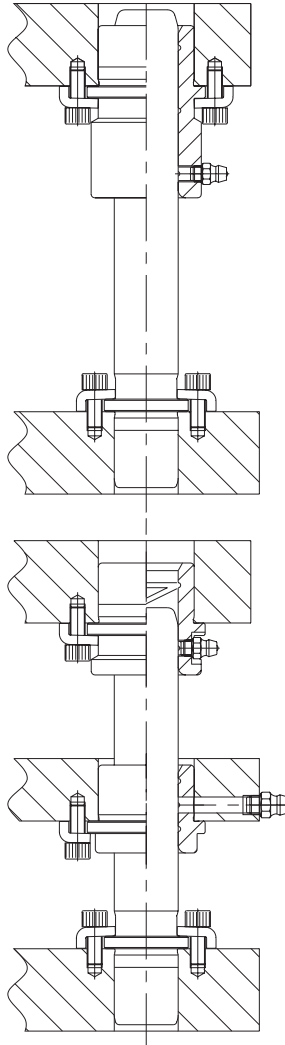


SHOULDER  
BUSHINGS

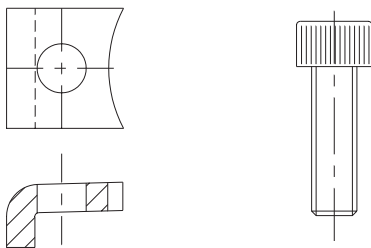


LONG SHOULDER  
BUSHINGS

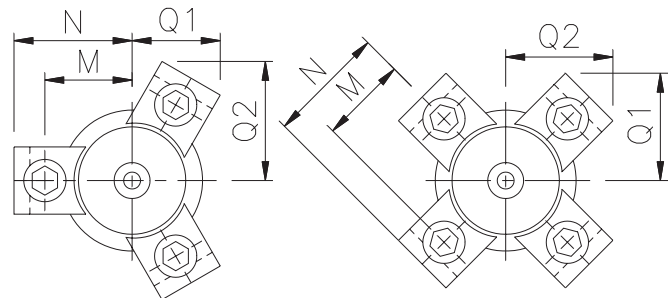
Examples



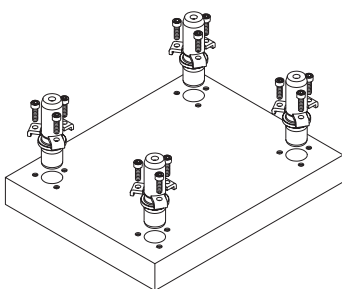
Component Parts Supplied



Clamp Arrangements



Assembly



Shoulder face and fit end are ground in the same operation to guarantee the perpendicularity of Demountable Guide Posts.

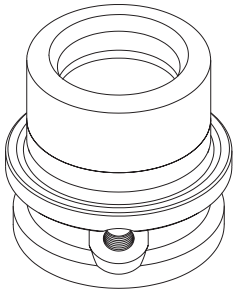
**CAUTION:**  
When using Demountable Guide Posts, dimension T should be checked to avoid interference with shoulder of bushing at minimum shut height with tool life depleted.



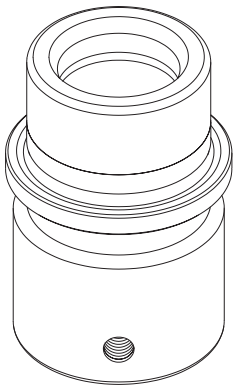
## Demountable Guide Posts

P36.DDD.FFF

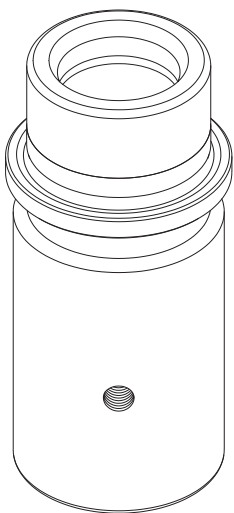
D <sub>1</sub>	1	1 1/4	1 1/2	1 3/4	2	2 1/2	3
F	CATALOG NUMBER						
2.50	P36.008.010						
2.75	P36.008.011	P36.010.011	P36.012.011				
3.00	P36.008.012	P36.010.012	P36.012.012				
3.25	P36.008.013	P36.010.013	P36.012.013				
3.50	P36.008.014	P36.010.014	P36.012.014	P36.014.014	P36.016.014		
3.75	P36.008.015	P36.010.015	P36.012.015				
4.00	P36.008.016	P36.010.016	P36.012.016	P36.014.016	P36.016.016		
4.25	P36.008.017	P36.010.017	P36.012.017				
4.50	P36.008.018			P36.014.018	P36.016.018	P36.020.018	P36.024.018
4.75		P36.010.019	P36.012.019				
5.00	P36.008.020			P36.014.020	P36.016.020	P36.020.020	P36.024.020
5.25		P36.010.021	P36.012.021				
5.50	P36.008.022			P36.014.022	P36.016.022	P36.020.022	P36.024.022
5.75		P36.010.023	P36.012.023				
6.00	P36.008.024			P36.014.024	P36.016.024		
6.25		P36.010.025	P36.012.025				
6.50	P36.008.026			P36.014.026	P36.016.026	P36.020.026	P36.024.026
6.75		P36.010.027	P36.012.027				
7.00	P36.008.028						
7.25		P36.010.029	P36.012.029				
7.50	P36.008.030			P36.014.030	P36.016.030	P36.020.030	P36.024.030
8.25		P36.010.033	P36.012.033				
8.50				P36.014.034	P36.016.034	P36.020.034	P36.024.034
9.25		P36.010.037	P36.012.037				
9.50				P36.014.038	P36.016.038	P36.020.038	P36.024.038
10.25		P36.010.041	P36.012.041				
10.50				P36.014.042	P36.016.042	P36.020.042	P36.024.042
11.50				P36.014.046	P36.016.046		
13.50						P36.020.054	P36.024.054
14.50					P36.016.058		
16.50						P36.020.066	P36.024.066
17.50					P36.016.070		
D <sub>3</sub>	1 5/16	1 9/16	1 7/8	2 1/4	2 1/2	3 1/32	3 1/2
E	1.1875		1.4375	1.6875	1.9375		2.4375
m	0.2756						
M	13/16	63/64	1 1/8	1 19/64	1 27/64	1 43/64	1 59/64
N	1.1436	1.4247	1.5622	1.7309	1.8540	2.1009	2.3484
Q <sub>1</sub>	0.8210	0.9660	1.0363	1.4251	1.5135	1.6903	1.8671
Q <sub>2</sub>	1.1090	1.3602	1.4820				
T	0.606	0.708					
CLAMPS	B01.006.000	B01.008.000					
SCREWS	A25.008.006 (1/4 - 20 x 3/4)	A25.010.006 (5/16 - 18 X 3/4)					
QTY:	3			4			



SHORT SHOULDER BUSHINGS



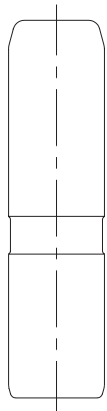
SHOULDER BUSHINGS



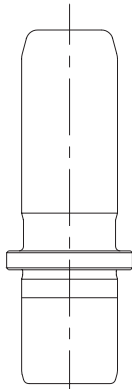
LONG SHOULDER BUSHINGS

Case Hardened  
60 - 64 HRC

To Be Use With:

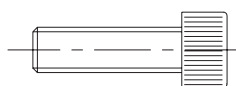
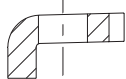
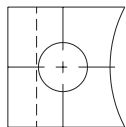
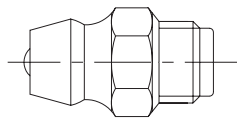


STRAIGHT GUIDE POSTS

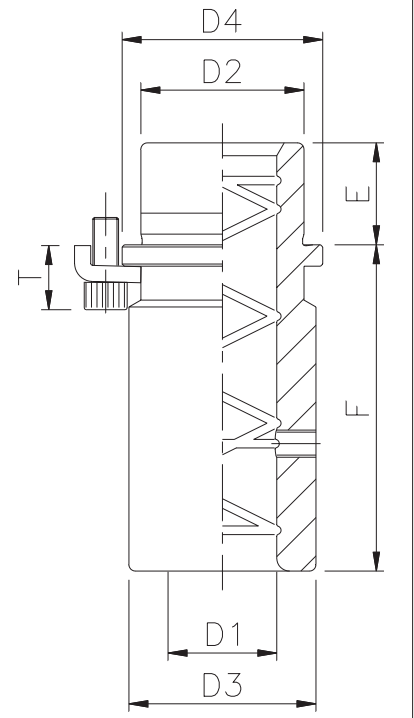
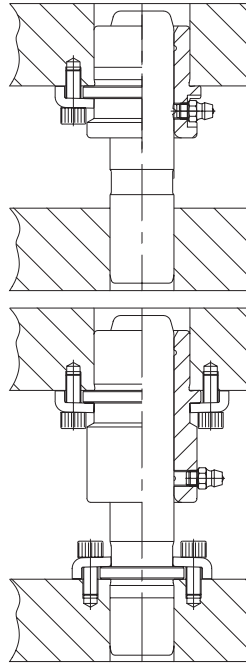


DEMOUNTABLE GUIDE POSTS

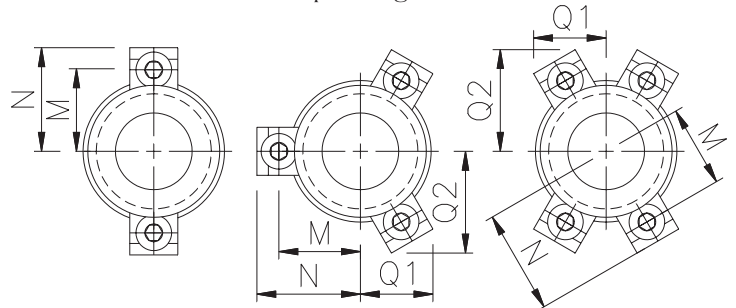
Component Parts  
Supplied



Examples



Clamp Arrangements



MDL Demountable Steel Bushings feature bearing quality alloy steel, case hardened. ID is precision ground and hone assuring interchangeability with Guide Posts.

Shoulder face and OD are ground in the same operation over an arbor to guarantee the concentricity and perpendicularity of the Bushings.

MDL Demountable Bronze Plated Bushings are manufactured using the same material and process as the steel bushings being electrolytic plated with Bronze before the honing operation.

The plating thickness is approximately .0006" which assures the low coefficient of friction of the bronze with the rigidity of the steel.



## Demountable Shoulder Bushings

STEEL  
B16.DDD.FFF  
BRONZE PLATED  
B26.DDD.FFF

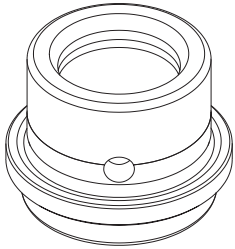
D <sub>1</sub>	1	1 1/4	1 1/2	1 3/4	2	2 1/2	3
F	SHORT SHOULDER BUSHINGS						
0.8125 (13/16)	B16.008.013	B16.010.013	B16.012.013				
	B26.008.013	B26.010.013	B26.012.013				
1.0000 (1)				B16.014.016	B16.016.016	B16.020.016	B16.024.016
				B26.014.016	B26.016.016	B26.020.016	B26.024.016
F	SHOULDER BUSHINGS						
1.5000 (1 1/2)		B16.010.024	B16.012.024	B16.014.024	B16.016.024		
		B26.010.024	B26.012.024	B26.014.024	B26.016.024		
1.7500 (1 3/4)	B16.008.028						
	B26.008.028						
2.0000 (2)		B16.010.032	B16.012.032	B16.014.032	B16.016.032		
		B26.010.032	B26.012.032	B26.014.032	B26.016.032		
2.5000 (2 1/2)						B16.020.040	B16.024.040
						B26.020.040	B26.024.040
F	LONG SHOULDER BUSHINGS						
3.0000 (3)	B16.008.048	B16.010.048	B16.012.048	B16.014.048	B16.016.048	B16.020.048	B16.024.048
	B26.008.048	B26.010.048	B26.012.048	B26.014.048	B26.016.048	B26.020.048	B26.024.048
DIMENSIONAL DATA							
D <sub>2</sub>	1 1/2	1 3/4	2	2 1/4	2 1/2	3 1/4	3 3/4
D <sub>3</sub>	1.720	1.940	2.190	2.503	2.909	3.659	4.190
D <sub>4</sub>	1.845	2.095	2.345	2.658	3.064	3.814	4.283
E	0.9375	1.1250	1.1875	1.3750	1.6250	1.8750	
M	1 1/16	1 7/32	1 3/8	1 1/2	1 45/64	2 5/64	2 5/16
N	1.3857	1.6542	1.8078	1.9311	2.1317	2.5033	2.7360
Q <sub>1</sub>	-	1.0832	1.1613	1.2238	1.3254	1.5929	1.6301
Q <sub>2</sub>	-	1.5632	1.6985	1.8067	1.9826	2.3074	2.5104
T	0.606	0.708					
CLAMPS	B01.006.000	B01.008.000					
SCREWS	A25.008.006 (1/4 - 20 X 3/4)	A25.010.006 (5/16 - 18 x 3/4)					
QTY.	2	3			4		



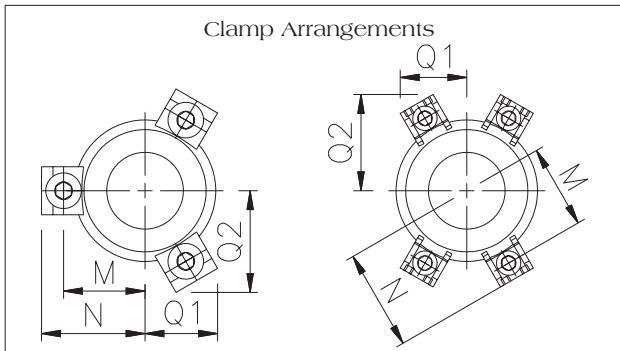
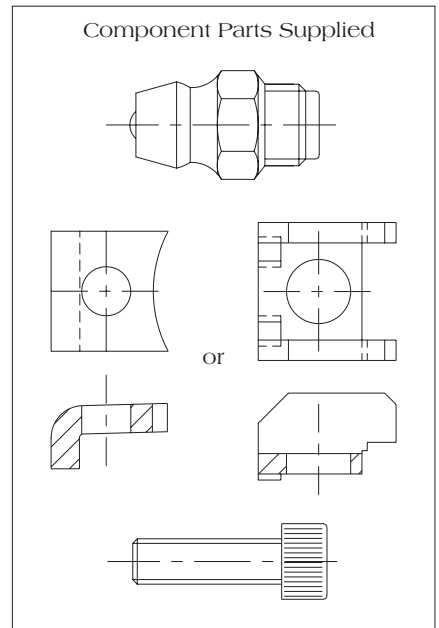
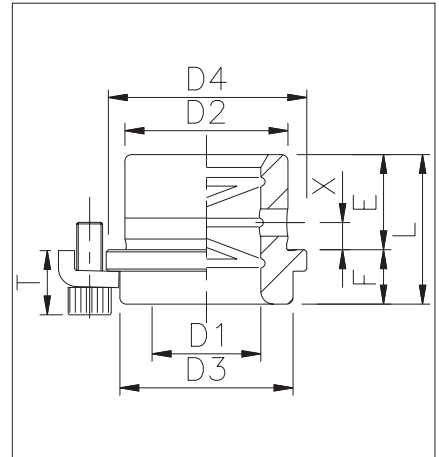
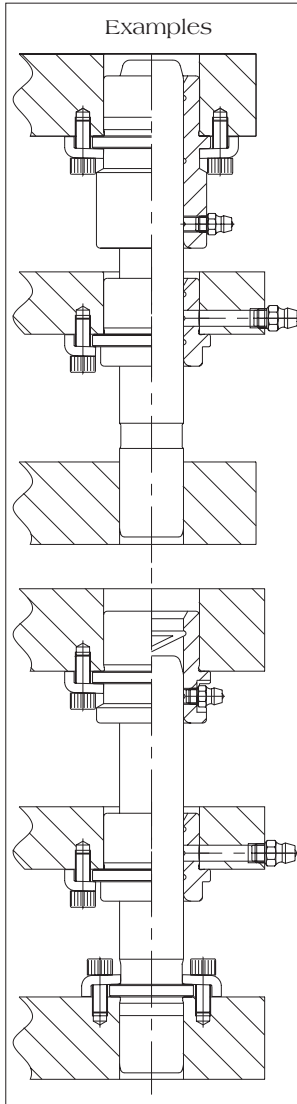
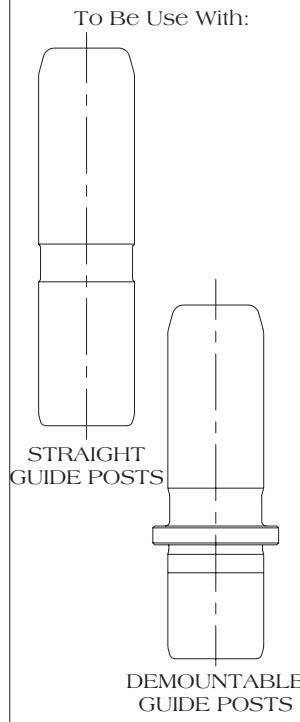


# Low Profile Bushings

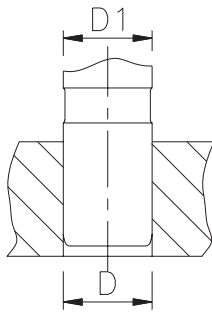
STEEL  
B18.DDD.FFF  
BRONZE PLATED  
B28.DDD.FFF



Case Hardened  
60 - 64 HRC

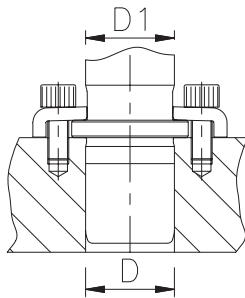


D <sub>1</sub>	1	1 1/4	1 1/2	1 3/4	2	2 1/2
F	CATALOG NUMBER					
0.5 (1/2)	B18.008.008	B18.010.008	B18.012.008	B18.014.008	B18.016.008	B18.020.008
	B28.008.008	B28.010.008	B28.012.008	B28.014.008	B28.016.008	B28.020.008
E	0.875		1.875	2.375		2.625
L	1.375		2.375	2.875		3.125
D <sub>2</sub>	1 1/2	1 3/4	2	2 1/4	2 1/2	3
D <sub>3</sub>	1.593	1.843	2.062	2.312	2.625	3.062
D <sub>4</sub>	1.845	2.095	2.345	2.658	3.064	3.814
M	1 1/16	1 3/16	1 29/64	1 39/64	1 25/32	2 9/64
N	1.3303	1.4533	1.8042	1.9576	2.1275	2.4818
Q <sub>1</sub>	0.8698	0.9323	1.1953	1.2735	1.3598	1.5391
Q <sub>2</sub>	1.2565	1.3648	1.7109	1.8463	1.9958	2.3063
T	0.562		0.461			
X	0.2500		0.6874	0.9374		1.0622
CLAMPS	B01.006.001			B02.008.001		
SCREWS	A25.008.005 (1/4 - 20 X 5/8)			A25.010.004 (5/16 - 18 X 1/2)		
QTY.	3			4		



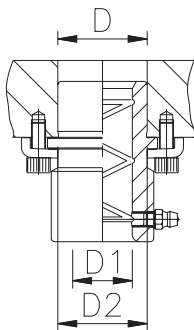
### STRAIGHT GUIDE POSTS P16

D <sub>1</sub>	1	1 1/4	1 1/2	1 3/4	2	2 1/2	3
D	$\frac{1.0008}{1.0002}$	$\frac{1.2508}{1.2502}$	$\frac{1.5008}{1.5002}$	$\frac{1.7508}{1.7502}$	$\frac{2.0008}{2.0002}$	$\frac{2.5008}{2.5002}$	$\frac{3.0008}{3.0002}$



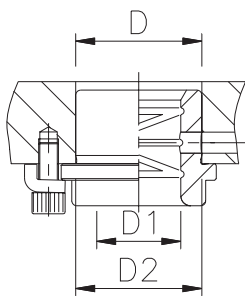
### DEMOUNTABLE GUIDE POSTS P36

D <sub>1</sub>	1	1 1/4	1 1/2	1 3/4	2	2 1/2	3
D	$\frac{1.0008}{1.0002}$	$\frac{1.2508}{1.2502}$	$\frac{1.5008}{1.5002}$	$\frac{1.7508}{1.7502}$	$\frac{2.0008}{2.0002}$	$\frac{2.5008}{2.5002}$	$\frac{3.0008}{3.0002}$



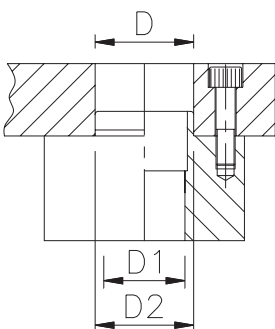
### DEMOUNTABLE SHOULDER BUSHINGS B16 / B26

D <sub>1</sub>	1	1 1/4	1 1/2	1 3/4	2	2 1/2	3
D <sub>2</sub>	1 1/2	1 3/4	2	2 1/4	2 1/2	3 1/4	3 3/4
D	$\frac{1.5003}{1.4997}$	$\frac{1.7503}{1.7497}$	$\frac{2.0003}{1.9997}$	$\frac{2.2503}{2.2497}$	$\frac{2.5003}{2.4997}$	$\frac{3.2503}{3.2497}$	$\frac{3.7503}{3.7497}$



### DEMOUNTABLE LOW PROFILE BUSHINGS B18 / B28

D <sub>1</sub>	1	1 1/4	1 1/2	1 3/4	2	2 1/2	
D <sub>2</sub>	1 1/2	1 3/4	2	2 1/4	2 1/2	3	
D	$\frac{1.5003}{1.4997}$	$\frac{1.7503}{1.7497}$	$\frac{2.0003}{1.9997}$	$\frac{2.2503}{2.2497}$	$\frac{2.5003}{2.4997}$	$\frac{3.0003}{2.9997}$	

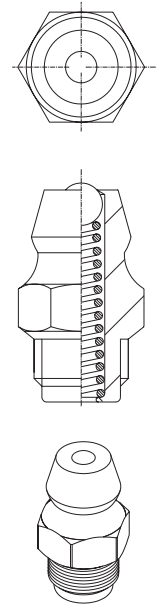
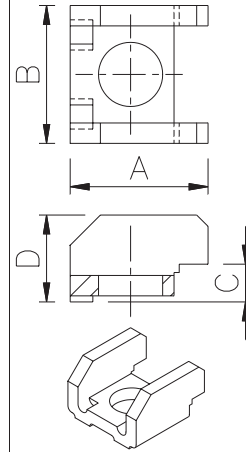
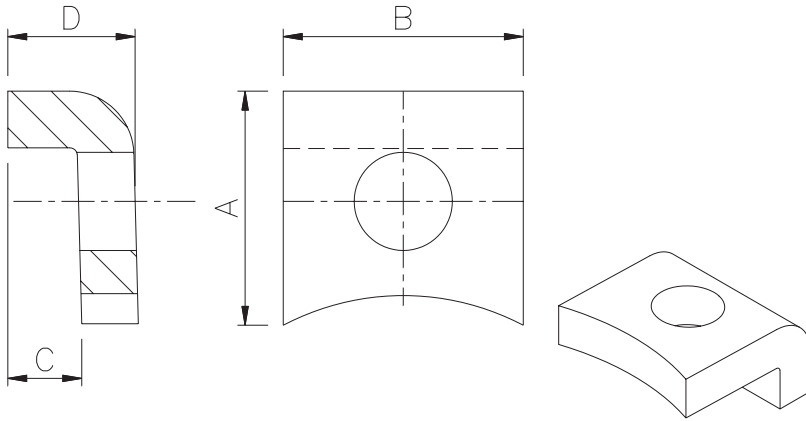


### DEMOUNTABLE STEEL BOSSES X15 / X16 / X17 / X18

D <sub>1</sub>	1 1/4	1 1/2	1 3/4	2	2 1/2	3	
D <sub>2</sub>	2	2 1/4	2 1/2	3 1/4	3 3/4	4 1/4	
D	$\frac{2.0003}{1.9997}$	$\frac{2.2503}{2.2497}$	$\frac{2.5003}{2.4997}$	$\frac{3.2503}{3.2497}$	$\frac{3.7503}{3.7497}$	$\frac{4.2503}{4.2497}$	

CLAMPS

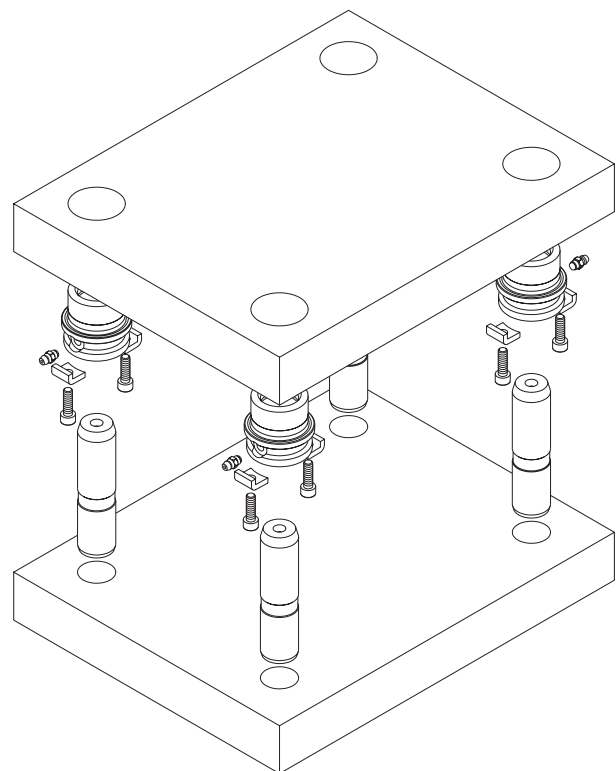
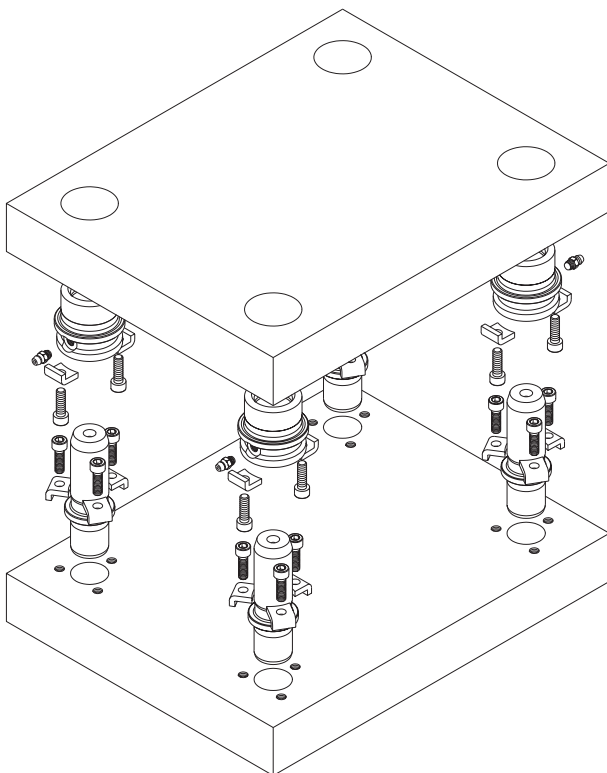
LUBRICATION FITTING



CAT. Nº	B01.006.000	B01.006.001	B01.008.000	B02.008.001
A	0.610	0.500	0.779	0.719
B	0.625	0.484	0.625	0.719
C	0.192	0.126	0.192	0.197
D	0.342	0.230	0.374	0.453
SCREWS	A25.008.006 (1/4 - 20 X 3/4)	A25.008.005 (1/4 - 20 X 5/8)	A25.010.006 (5/16 - 18 X 3/4)	A25.010.004 (5/16 - 18 X 1/2)

B07.008.028

ASSEMBLY OPTIONS FOR MDL GUIDING COMPONENTS



## FEATURES OF MDL DEMOUNTABLE STEEL BOSSES

MDL Demountable Steel Bosses are manufactured with mild carbon steel to be use with Guide Posts and and or Demountable Bushings.

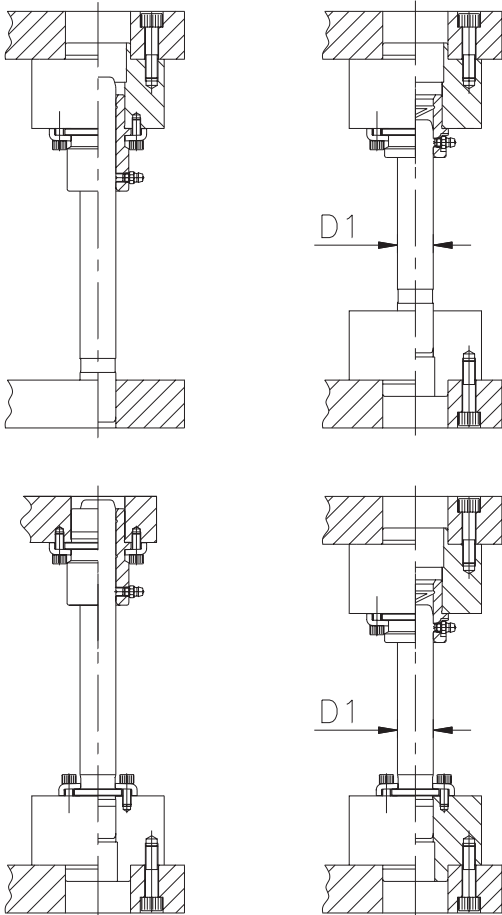
They are available in two shapes (Round and Square) and different heights to meet the requirements of Special Die Sets.

The unique design of those Bosses allows them to be interchangeable and do not require the use of Dowel Pins for their assembly. Those bosses may be disassembly for tool grinding.

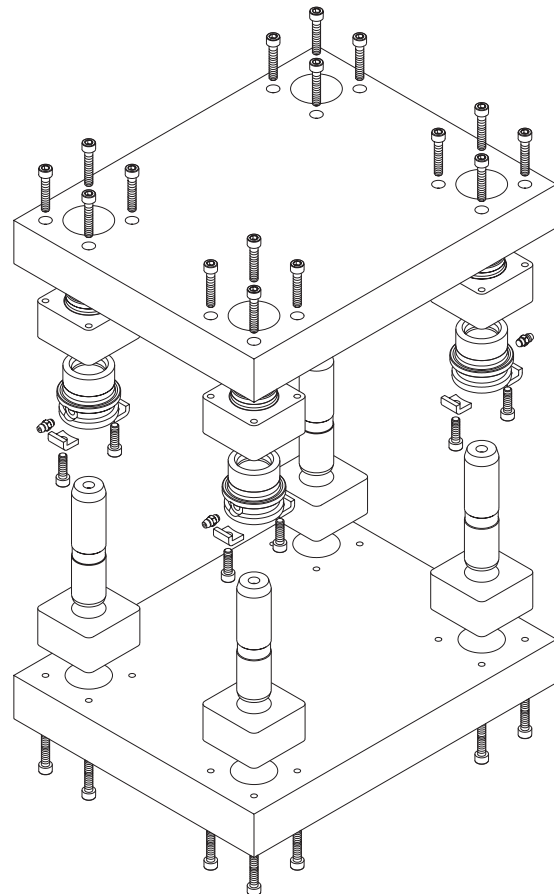
If required, those bosses could be welded to the Die Set after assembly.

The locating diameter on the Bosses for Guide Posts and Demountable Bushings is the same. This allows the two plates of the Die Set to be machined together in a single setup.

### ASSEMBLY OPTIONS



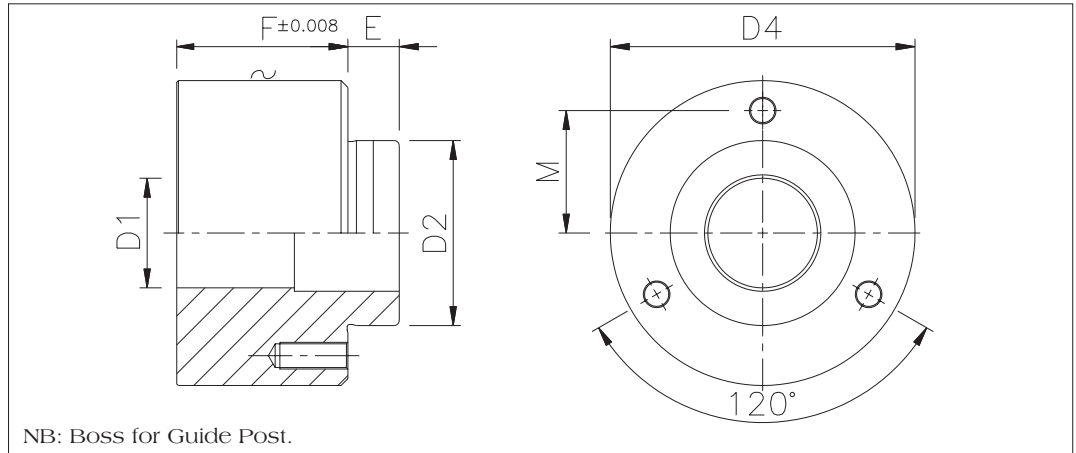
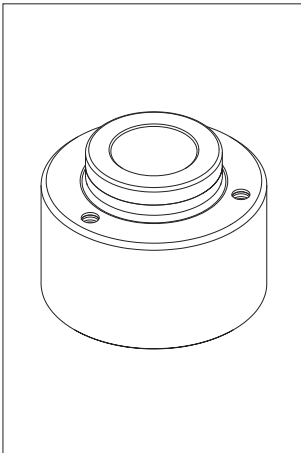
### EXAMPLE





## Demountable Round Steel Bosses

X15.DDD.FFF  
X16.DDD.FFF



D <sub>1</sub>	1 1/4	1 1/2	1 3/4	2	2 1/2	3
----------------	-------	-------	-------	---	-------	---

F	ROUND BOSSES FOR GUIDE POSTS					
1.5	X15.010.024					
2.0	X15.010.032					
2.5		X15.012.040				
3.0		X15.012.048	X15.014.048	X15.016.048		
4.0			X15.014.064	X15.016.064	X15.020.064	
5.0					X15.020.080	X15.024.080

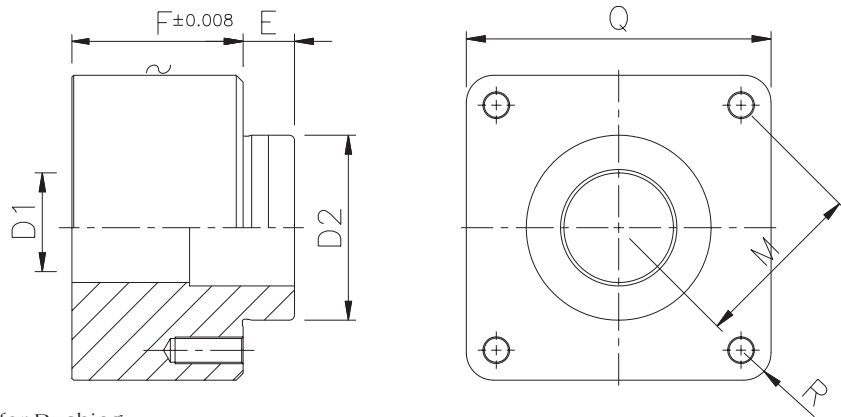
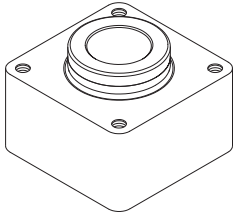
F	ROUND BOSSES FOR BUSHINGS					
1.5	X16.010.024					
2.0	X16.010.032					
2.5		X16.012.040				
3.0		X16.012.048	X16.014.048	X16.016.048		
4.0			X16.014.064	X16.016.064	X16.020.064	
5.0					X16.020.080	X16.024.080

DIMENSIONAL DATA						
D <sub>2</sub>	2 1/4	2 1/2	2 3/4	3	3 3/4	4 1/4
D <sub>4</sub>	3 1/2	4	4 1/2		5 1/2	6 1/2
E	0.625					
M	1 3/8	1 9/16	1 3/4	1 15/16	2 5/16	2 11/16
THREAD	1/4 NC	5/16 NC				3/8 NC



## Demountable Square Steel Bosses

X17.DDD.FFF  
X18.DDD.FFF



NB: Boss for Bushing.

D <sub>1</sub>	1 1/4	1 1/2	1 3/4	2	2 1/2	3
----------------	-------	-------	-------	---	-------	---

F	SQUARE BOSSES FOR GUIDE POSTS					
1.5	X17.010.024					
2.0	X17.010.032					
2.5		X17.012.040				
3.0		X17.012.048	X17.014.048	X17.016.048		
4.0			X17.014.064	X17.016.064	X17.020.064	
5.0					X17.020.080	X17.024.080

F	SQUARE BOSSES FOR BUSHINGS					
1.5	X18.010.024					
2.0	X18.010.032					
2.5		X18.012.040				
3.0		X18.012.048	X18.014.048	X18.016.048		
4.0			X18.014.064	X18.016.064	X18.020.064	
5.0					X18.020.080	X18.024.080

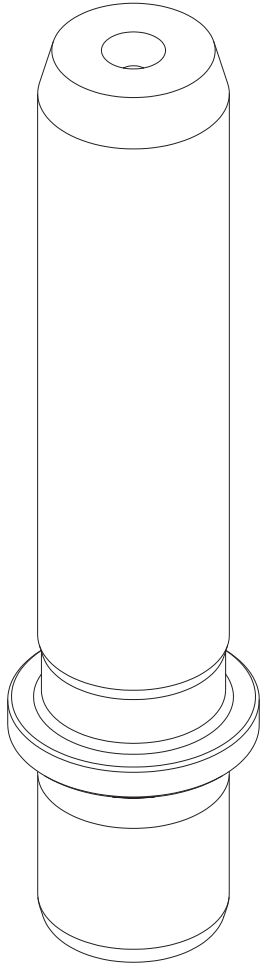
DIMENSIONAL DATA						
D <sub>2</sub>	2 1/4	2 1/2	2 3/4	3	3 3/4	4 1/4
Q	3 1/2	4	4 1/2		5 1/2	6 1/2
E	0.625					
M	1 3/4	2	2 1/4		2 3/4	3 1/4
THREAD	1/4 NC	5/16 NC				3/8 NC



## Straight Guide Posts

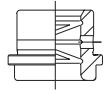
P10.DDD.LLL

D <sub>i</sub>	20	25	32	40	50	63	80
L	CATALOG NUMBER						
100	P10.020.100	P10.025.100					
110	P10.020.110	P10.025.110	P10.032.110				
125	P10.020.125	P10.025.125	P10.032.125	P10.040.125			
140	P10.020.140	P10.025.140	P10.032.140	P10.040.140			
160	P10.020.160	P10.025.160	P10.032.160	P10.040.160	P10.050.160		
180	P10.020.180	P10.025.180	P10.032.180	P10.040.180	P10.050.180		
200	P10.020.200	P10.025.200	P10.032.200	P10.040.200	P10.050.200	P10.063.200	P10.080.200
220		P10.025.220	P10.032.220	P10.040.220	P10.050.220	P10.063.220	P10.080.220
250		P10.025.250	P10.032.250	P10.040.250	P10.050.250	P10.063.250	P10.080.250
280		P10.025.280	P10.032.280	P10.040.280	P10.050.280	P10.063.280	P10.080.280
315			P10.032.315	P10.040.315	P10.050.315	P10.063.315	P10.080.315
355				P10.040.355	P10.050.355	P10.063.355	P10.080.355
400					P10.050.400	P10.063.400	P10.080.400
450					P10.050.450	P10.063.450	P10.080.450
500							P10.080.500
d	M5	M6	M8	M10	M12	M16	M20
m	7,3	9,6	10,1	10,6	11,3	12,1	13,3

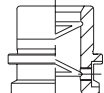


Case Hardened  
60 - 64 HRC

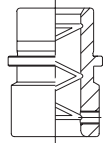
To Be Use With



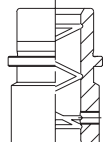
LOW PROFILE  
BUSHINGS



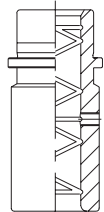
SHORT SHOULDER  
BUSHINGS



SHOULDER  
BUSHINGS

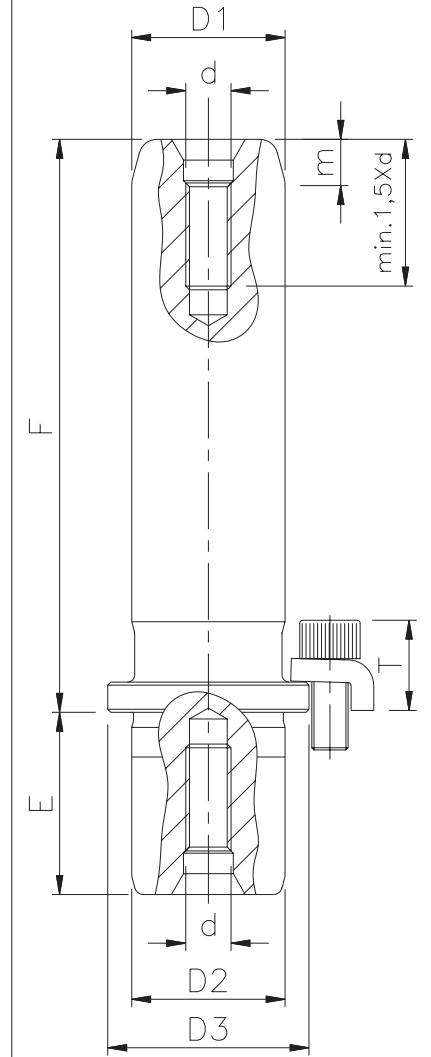
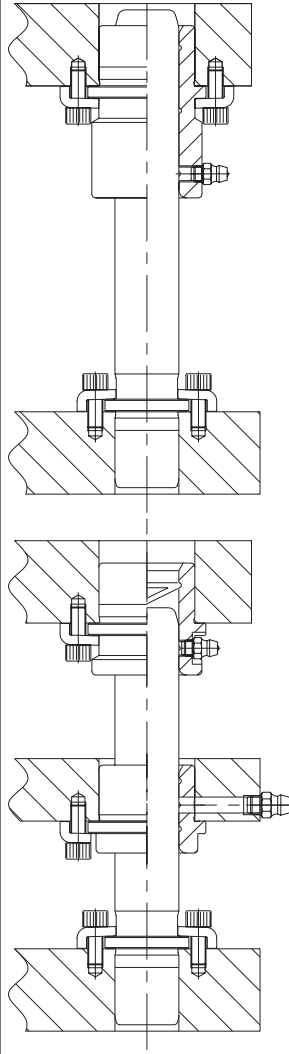


LONG SHOULDER  
BUSHINGS

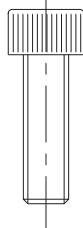
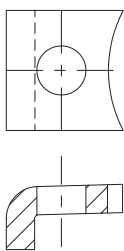


EXTRA LONG SHOULDER  
BUSHINGS

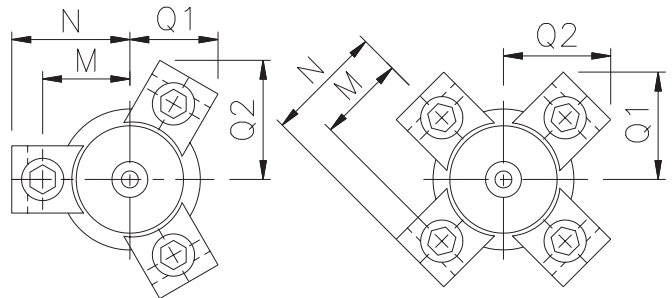
Examples



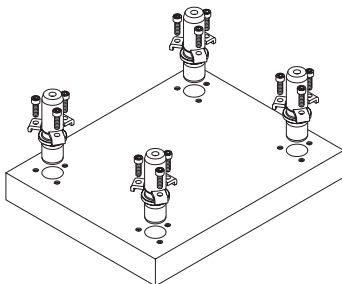
Component Part Supplied



Clamp Arrangements



Assembly



Shoulder face and fit end are ground in the same operation to guarantee the perpendicularity of Demountable Guide Posts.

**CAUTION:**  
When using Demountable Guide Posts Locked by Clamp, dimension T should be checked to avoid interference with shoulder of bushing at minimum shut height with tool life depleted.

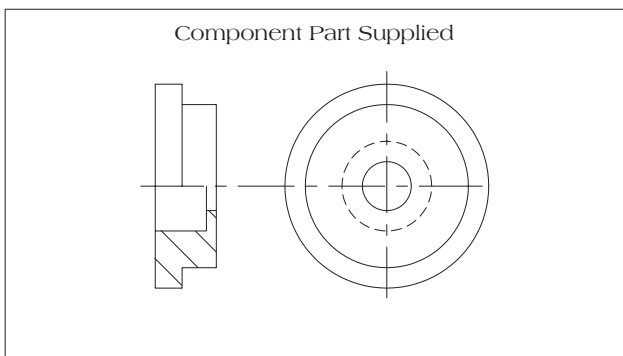
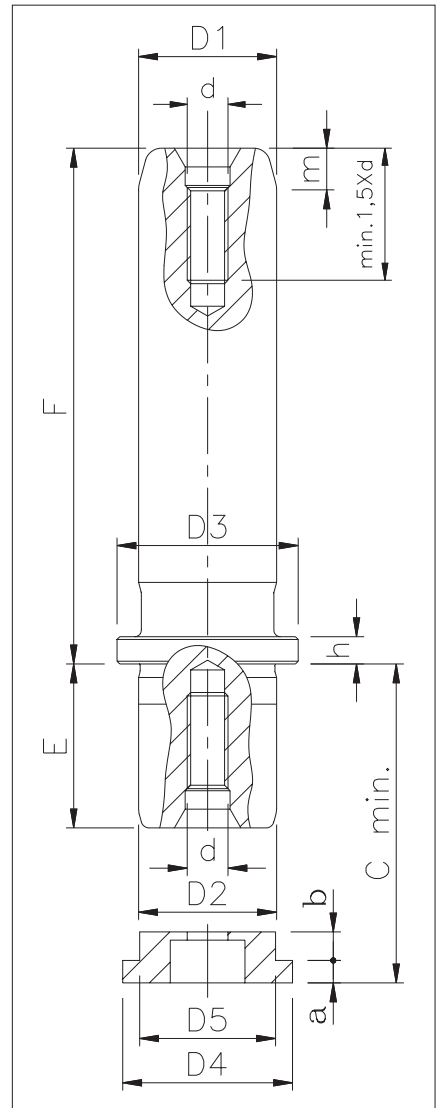
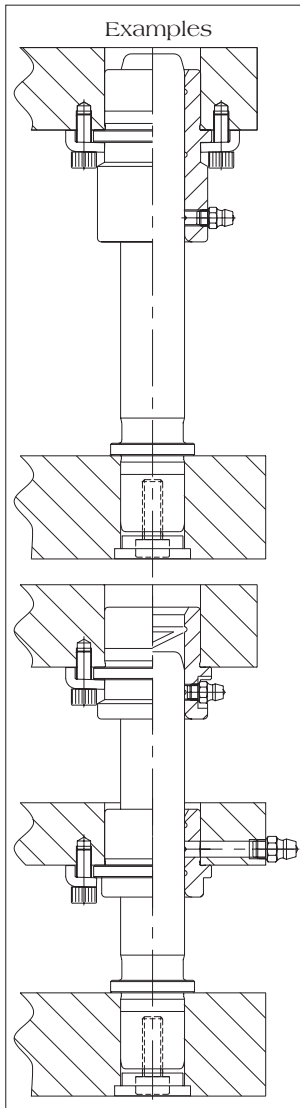
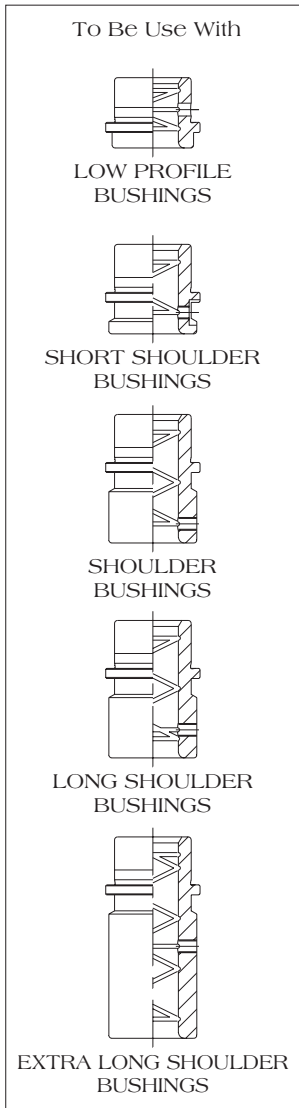
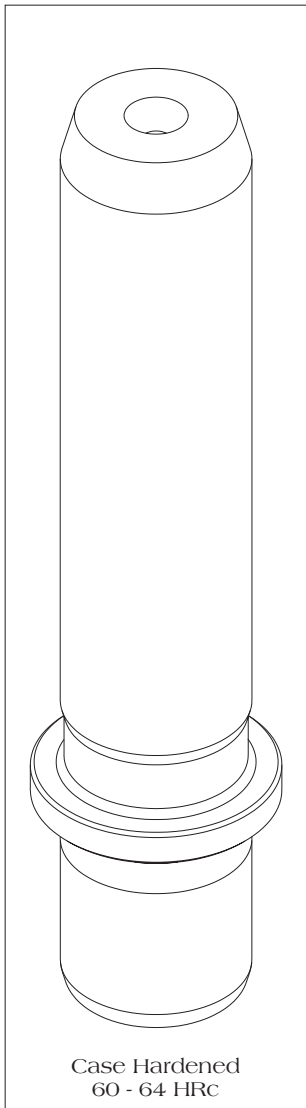




Demountable Guide Posts  
Locked by Clamp

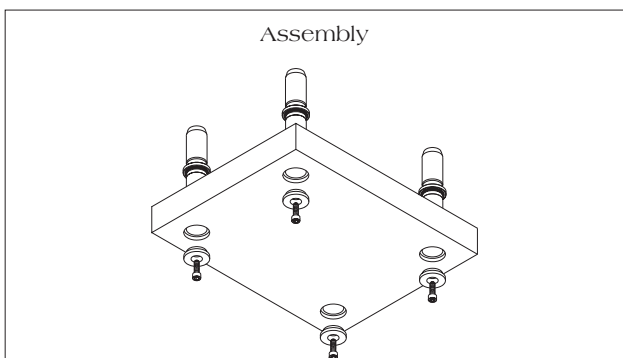
P21.DDD.FFF

D <sub>1</sub>	20	25	32	40	50	63	80	
F	CATALOG NUMBER							
80	P21.020.080	P21.025.080						
90	P21.020.090	P21.025.090						
100	P21.020.100	P21.025.100	P21.032.100	P21.040.100				
110	P21.020.110	P21.025.110	P21.032.110	P21.040.110	P21.050.110			
125	P21.020.125	P21.025.125	P21.032.125	P21.040.125	P21.050.125	P21.063.125	P21.080.125	
140	P21.020.140	P21.025.140	P21.032.140	P21.040.140	P21.050.140	P21.063.140	P21.080.140	
160	P21.020.160	P21.025.160	P21.032.160	P21.040.160	P21.050.160	P21.063.160	P21.080.160	
180		P21.025.180	P21.032.180	P21.040.180	P21.050.180	P21.063.180	P21.080.180	
200		P21.025.200	P21.032.200	P21.040.200	P21.050.200	P21.063.200	P21.080.200	
220			P21.032.220	P21.040.220	P21.050.220	P21.063.220	P21.080.220	
250			P21.032.250	P21.040.250	P21.050.250	P21.063.250	P21.080.250	
280			P21.032.280	P21.040.280	P21.050.280	P21.063.280	P21.080.280	
315					P21.050.315	P21.063.315	P21.080.315	
355					P21.050.355	P21.063.355	P21.080.355	
400					P21.050.400	P21.063.400	P21.080.400	
500							P21.080.500	
D <sub>3</sub>	25	32	40	50	63	76	93	
E	20	25	32	40	45	50	60	
d	M5	M6	M8	M10	M12	M16	M20	
m	7,3	9,6	10,1	10,6	11,3	12,1	13,3	
M	16,0	20,3	24,0	30,0	36,5	42,5	51,0	
N	22,9	28,7	32,3	41,1	47,5	53,4	61,8	
Q <sub>1</sub>	16,5	20,7	22,5	27,0	38,7	43,0	49,0	
Q <sub>2</sub>	22,2	27,9	31,1	38,9				
T	11,3	15,1		18,1				
CLAMPS	B01.005.000	B01.006.000		B01.008.000				
SCREWS	A05.005.012 (M5 X 12)	A05.006.016 (M6 X 16)		A05.008.020 (M8 X 20)				
QTY.	3				4			



Shoulder face and fit end are ground in the same operation to guarantee the perpendicularity of Demountable Guide Posts.

Socket Head Cap Screw is not supplied since its length should be selected according to the thickness of Die Shoe.



**CAUTION:**

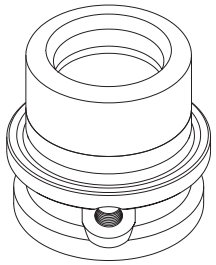
When using Demountable Guide Posts Locked by Retainer Plug, dimension C min. should be checked. Die Shoe thickness should be greater than C min. to assure proper locking of Demountable Guide Posts.



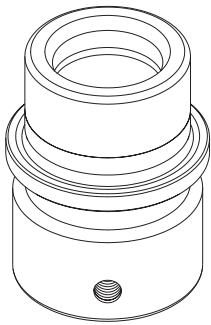
## Demountable Guide Posts Locked by Retainer Plug

P22.DDD.FFF

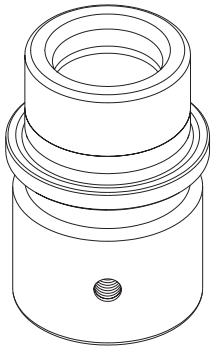
D <sub>1</sub>	20	25	32	40	50	63	80
F	CATALOG NUMBER						
80	P22.020.080	P22.025.080					
90	P22.020.090	P22.025.090					
100	P22.020.100	P22.025.100	P22.032.100	P22.040.100			
110	P22.020.110	P22.025.110	P22.032.110	P22.040.110	P22.050.110		
125	P22.020.125	P22.025.125	P22.032.125	P22.040.125	P22.050.125	P22.063.125	P22.080.125
140	P22.020.140	P22.025.140	P22.032.140	P22.040.140	P22.050.140	P22.063.140	P22.080.140
160	P22.020.160	P22.025.160	P22.032.160	P22.040.160	P22.050.160	P22.063.160	P22.080.160
180		P22.025.180	P22.032.180	P22.040.180	P22.050.180	P22.063.180	P22.080.180
200		P22.025.200	P22.032.200	P22.040.200	P22.050.200	P22.063.200	P22.080.200
220			P22.032.220	P22.040.220	P22.050.220	P22.063.220	P22.080.220
250			P22.032.250	P22.040.250	P22.050.250	P22.063.250	P22.080.250
280			P22.032.280	P22.040.280	P22.050.280	P22.063.280	P22.080.280
315					P22.050.315	P22.063.315	P22.080.315
355					P22.050.355	P22.063.355	P22.080.355
400					P22.050.400	P22.063.400	P22.080.400
500							P22.080.500
D <sub>3</sub> = D <sub>4</sub>	25	32	40	50	63	76	93
D <sub>4</sub>	25	32	40	50	63	76	93
D <sub>5</sub>	19	24	30	38	48	63	80
E	20	25	32	40	45	50	60
d	M5	M6	M8	M10	M12	M16	M20
m	7,3	9,6	10,1	10,6	11,3	12,1	13,3
a	3,3	5,0					
b	4,2	4,0	7,0	10,0	13,0	19,0	25,0
C min.	28	35	45	56	64	75	91
h	3,3	5,0					
PLUG	P02.020.000	P02.025.000	P02.032.000	P02.040.000	P02.050.000	P02.063.000	P02.080.000



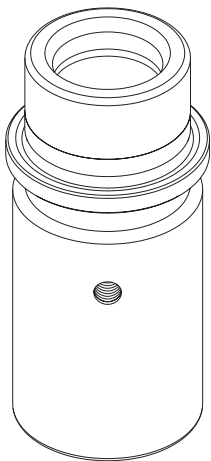
SHORT SHOULDER BUSHINGS



SHOULDER BUSHINGS



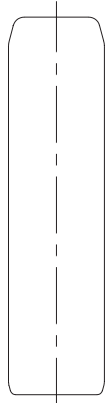
LONG SHOULDER BUSHINGS



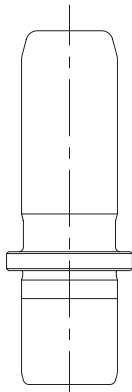
EXTRA LONG SHOULDER BUSHINGS

Case Hardened  
60 - 64 HRC

To Be Use With:

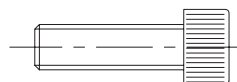
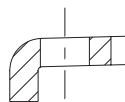
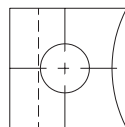
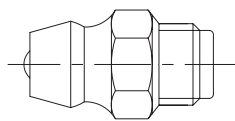


STRAIGHT GUIDE POSTS

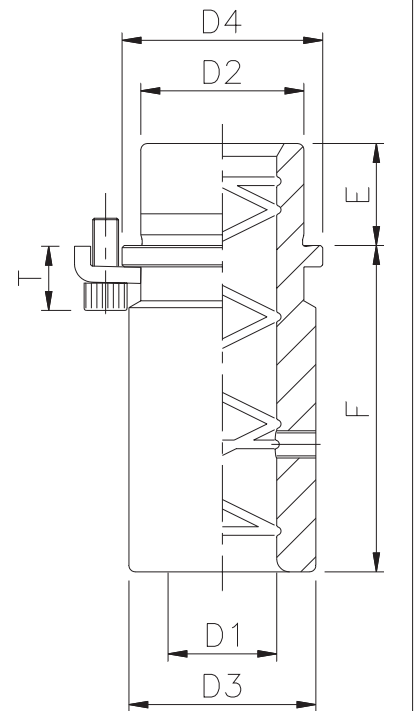
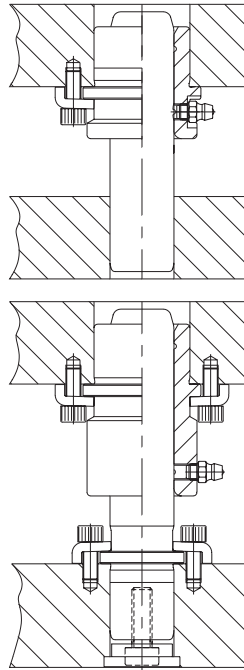


DEMOUNTABLE GUIDE POSTS

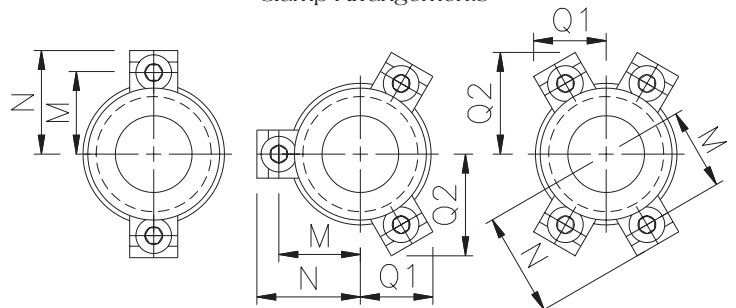
Component Parts  
Supplied



Examples



Clamp Arrangements



MDL Demountable Steel Bushings feature bearing quality alloy steel, case hardened. ID is precision ground and hone assuring interchangeability with Guide Posts.

Shoulder face and OD are ground in the same operation over an arbor to guarantee the concentricity and perpendicularity of the Bushing.

MDL Demountable Bronze Plated Bushings are manufactured using the same material and process as the steel bushings being electrolytic plated with Bronze before the honing operation.

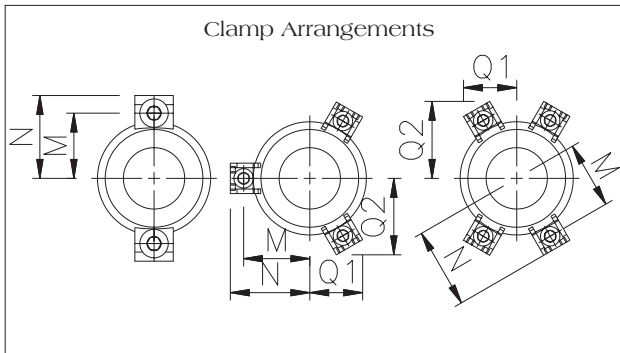
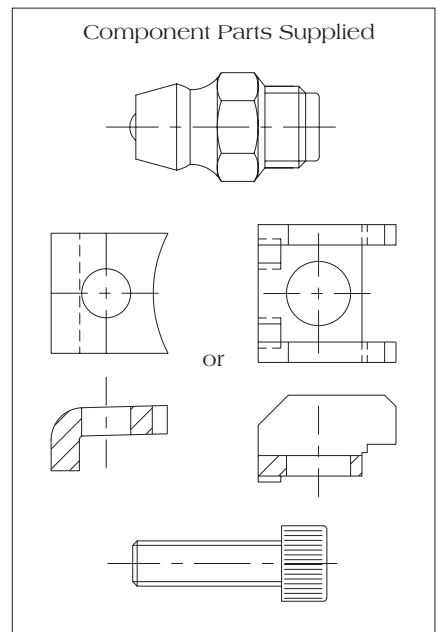
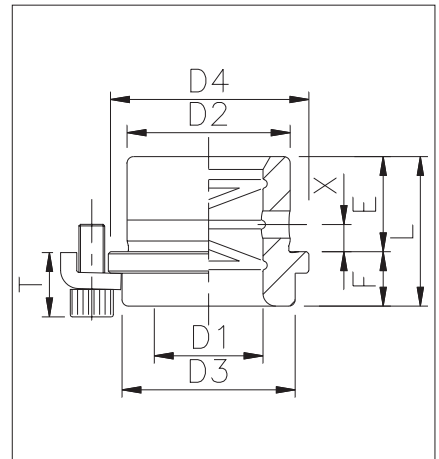
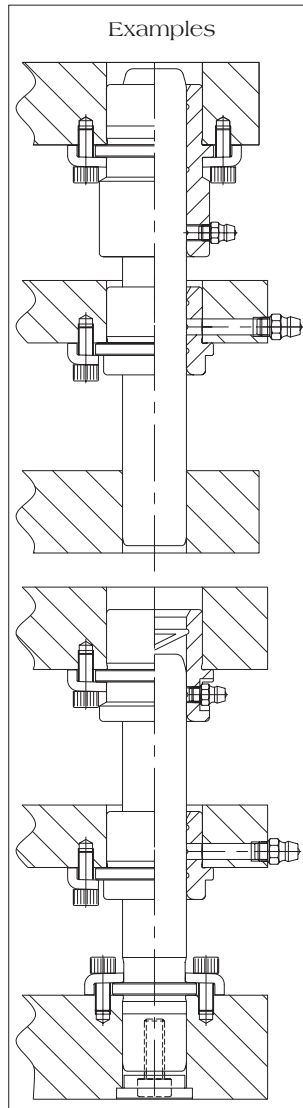
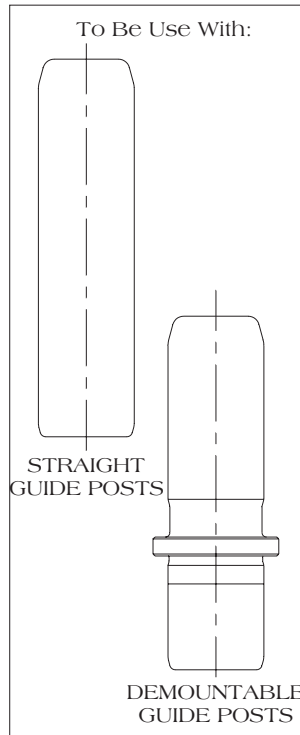
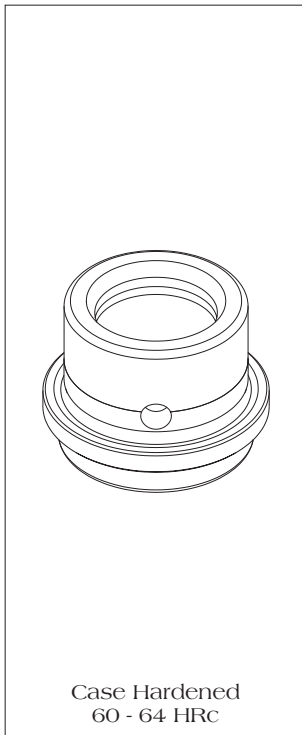
The plating thickness is approximately 0,015 mm which assures the low coefficient of friction of the bronze with the rigidity of the steel.



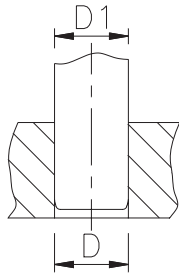
## Demountable Shoulder Bushings

STEEL  
B11.DDD.FFF  
BRONZE PLATED  
B21.DDD.FFF

D <sub>1</sub>	20	25	32	40	50	63	80
F	SHORT SHOULDER BUSHINGS						
16	B11.020.016						
	B21.020.016						
20		B11.025.020	B11.032.020	B11.040.020	B11.050.020	B11.063.020	B11.080.020
		B21.025.020	B21.032.020	B21.040.020	B21.050.020	B21.063.020	B21.080.020
F	SHOULDER BUSHINGS						
32	B11.020.032						
	B21.020.032						
50		B11.025.050	B11.032.050	B11.040.050	B11.050.050	B11.063.050	B11.080.050
		B21.025.050	B21.032.050	B21.040.050	B21.050.050	B21.063.050	B21.080.050
F	LONG SHOULDER BUSHINGS						
75		B11.025.075	B11.032.075	B11.040.075	B11.050.075	B11.063.075	B11.080.075
		B21.025.075	B21.032.075	B21.040.075	B21.050.075	B21.063.075	B21.080.075
F	EXTRA LONG SHOULDER BUSHINGS						
100			B11.032.100	B11.040.100	B11.050.100	B11.063.100	B11.080.100
			B21.032.100	B21.040.100	B21.050.100	B21.063.100	B21.080.100
DIMENSIONAL DATA							
D <sub>2</sub>	28	38	45	54	65	81	100
D <sub>3</sub>	29	42	49	58	70	88	110
D <sub>4</sub>	32,5	47,0	54,0	63,0	75,0	93,0	115,0
E	18	22	25	30	35	48	
M	19,5	27,5	31,0	37,0	43,0	52,0	63,0
N	26,3	35,7	39,1	48,0	53,9	62,8	73,7
Q <sub>1</sub>	-	24,3	26,0	30,5	33,5	38,0	43,5
Q <sub>2</sub>	-	34,1	37,1	44,9	50,1	57,9	67,5
T	11,3	15,1		18,1			
CLAMPS	B01.005.000	B01.006.000		B01.008.000			
SCREWS	A05.005.012 (M5 X 12)	A05.006.016 (M6 X 16)		A05.008.020 (M8 X 20)			
QTY.	2	3		4			

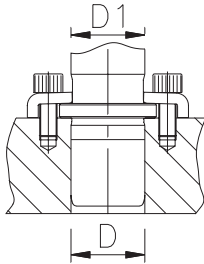


D <sub>1</sub>	20	25	32	40	50	63	80
F	CATALOG NUMBER						
10	B13.020.010 B23.020.010	B13.025.010 B23.025.010	B13.032.010 B23.032.010				
14				B13.040.014 B23.040.014	B13.050.014 B23.050.014	B13.063.014 B23.063.014	B13.080.014 B23.080.014
E	18	23	30	38	48	61	78
L	28	33	40	52	62	75	92
D <sub>2</sub>		38	45	54	65	81	100
D <sub>3</sub>	29	36	43	50	64	79	99
D <sub>4</sub>	32,5	47,0	54,0	63,0	75,0	93,0	115,0
M	19,5	30,0	33,5	40,0	46,0	55,0	66,0
N	26,3	38,6	42,0	52,0	57,9	66,8	77,7
Q <sub>1</sub>	-	25,2	27,0	33,7	36,7	41,2	46,7
Q <sub>2</sub>	-	36,4	39,5	49,0	54,2	61,9	71,5
T	11,3	10,2		13,2			
X	6		10		20		32
CLAMPS	B01.005.000	B02.006.000		B02.008.000			
SCREWS	A05.005.012 (M5 X 12)	A05.006.012 (M6 X 12)		A05.008.016 (M8 X 16)			
QTY.	2	3		4			



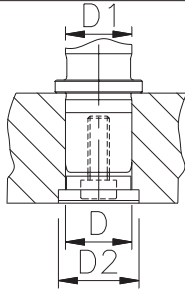
### STRAIGHT GUIDE POSTS P10

D <sub>1</sub>	20	25	32	40	50	63	80
D	$\frac{19,976}{19,963}$	$\frac{24,976}{24,963}$	$\frac{31,971}{31,955}$	$\frac{39,971}{39,955}$	$\frac{49,971}{49,955}$	$\frac{62,965}{62,946}$	$\frac{79,963}{79,944}$



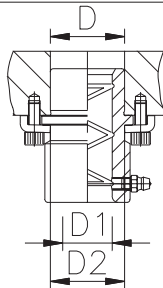
### DEMOUNTABLE GUIDE POSTS LOCKED BY CLAMP P21

D <sub>1</sub>	20	25	32	40	50	63	80
D	$\frac{19,976}{19,963}$	$\frac{24,976}{24,963}$	$\frac{31,971}{31,955}$	$\frac{39,971}{39,955}$	$\frac{49,971}{49,955}$	$\frac{62,965}{62,946}$	$\frac{79,963}{79,944}$



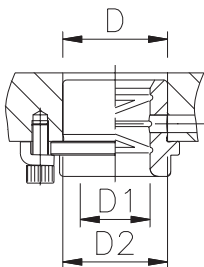
### DEMOUNTABLE GUIDE POSTS LOCKED BY RETAINER PLUG P22

D <sub>1</sub>	20	25	32	40	50	63	80
D <sub>2</sub>	26	33	41	51	64	77	94
D	$\frac{19,976}{19,963}$	$\frac{24,976}{24,963}$	$\frac{31,971}{31,955}$	$\frac{39,971}{39,955}$	$\frac{49,971}{49,955}$	$\frac{62,965}{62,946}$	$\frac{79,963}{79,944}$



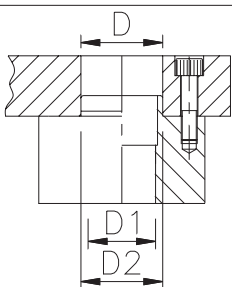
### DEMOUNTABLE SHOULDER BUSHINGS B11 / B21

D <sub>1</sub>	20	25	32	40	50	63	80
D <sub>2</sub>	28	38	45	54	65	81	100
D	$\frac{28,000}{28,013}$	$\frac{38,000}{38,016}$	$\frac{45,000}{45,016}$	$\frac{54,000}{54,019}$	$\frac{65,000}{65,019}$	$\frac{81,000}{81,022}$	$\frac{100,000}{100,022}$



### DEMOUNTABLE LOW PROFILE BUSHINGS B13 / B23

D <sub>1</sub>	20	25	32	40	50	63	80
D <sub>2</sub>	28	38	45	54	65	81	100
D	$\frac{28,000}{28,013}$	$\frac{38,000}{38,016}$	$\frac{45,000}{45,016}$	$\frac{54,000}{54,019}$	$\frac{65,000}{65,019}$	$\frac{81,000}{81,022}$	$\frac{100,000}{100,022}$

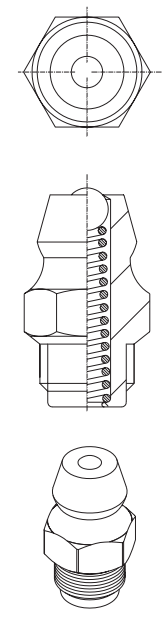
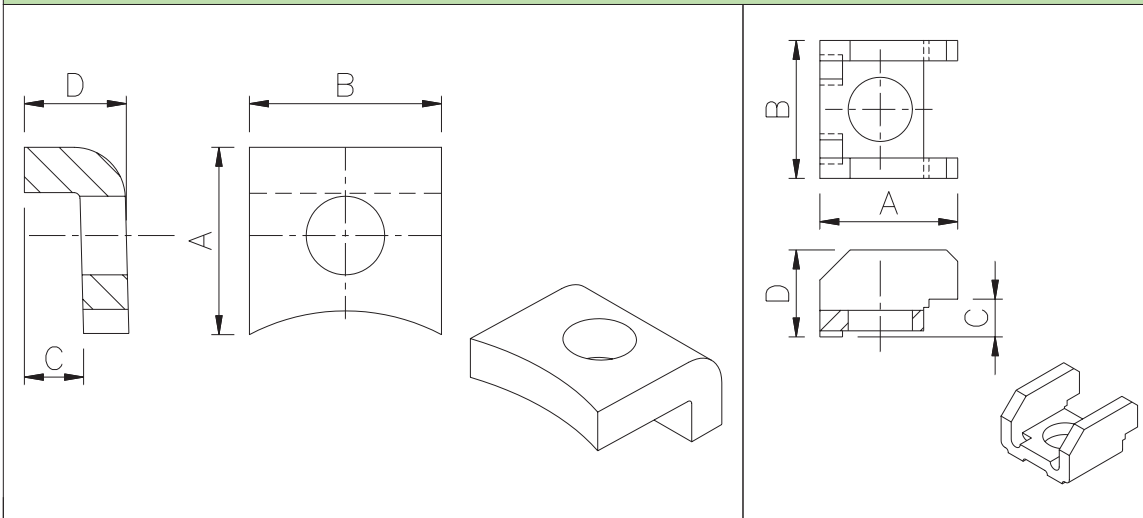


### DEMOUNTABLE STEEL BOSSES X05 / X06 / X07 / X08

D <sub>1</sub>	32	40	50	63	80
D <sub>2</sub>	54	65	81	100	118
D	$\frac{54,000}{54,019}$	$\frac{65,000}{65,019}$	$\frac{81,000}{81,022}$	$\frac{100,000}{100,022}$	$\frac{118,000}{118,022}$

CLAMPS

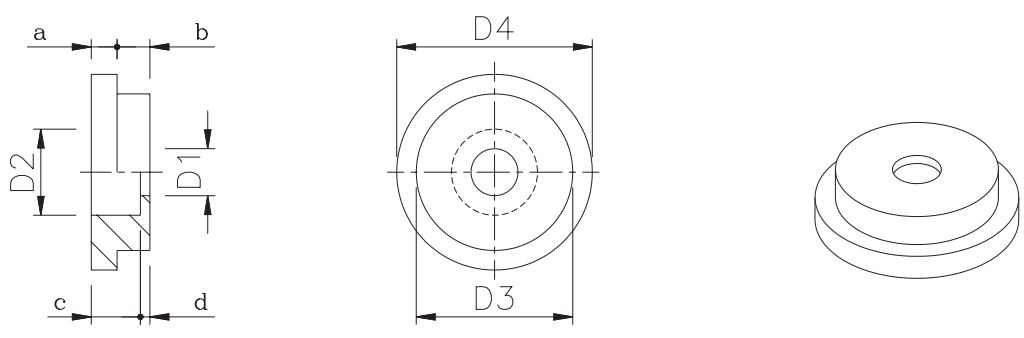
LUBRICATION FITTING



Cat. Nº	B01.005.000	B01.006.000	B01.008.000	B02.006.000	B02.008.000
A	12,3	15,5	19,8	18,3	24,6
B	12,7	15,9	15,9	14,5	18,8
C	3,2	4,9	4,9	5,0	5,0
D	5,6	8,7	9,5	10,0	13,0
SCREWS	A05.005.012 (M5 X 12)	A05.006.016 (M6 X 16)	A05.008.020 (M8 X 20)	A05.006.012 (M6 X 12)	A05.008.016 (M8 X 16)

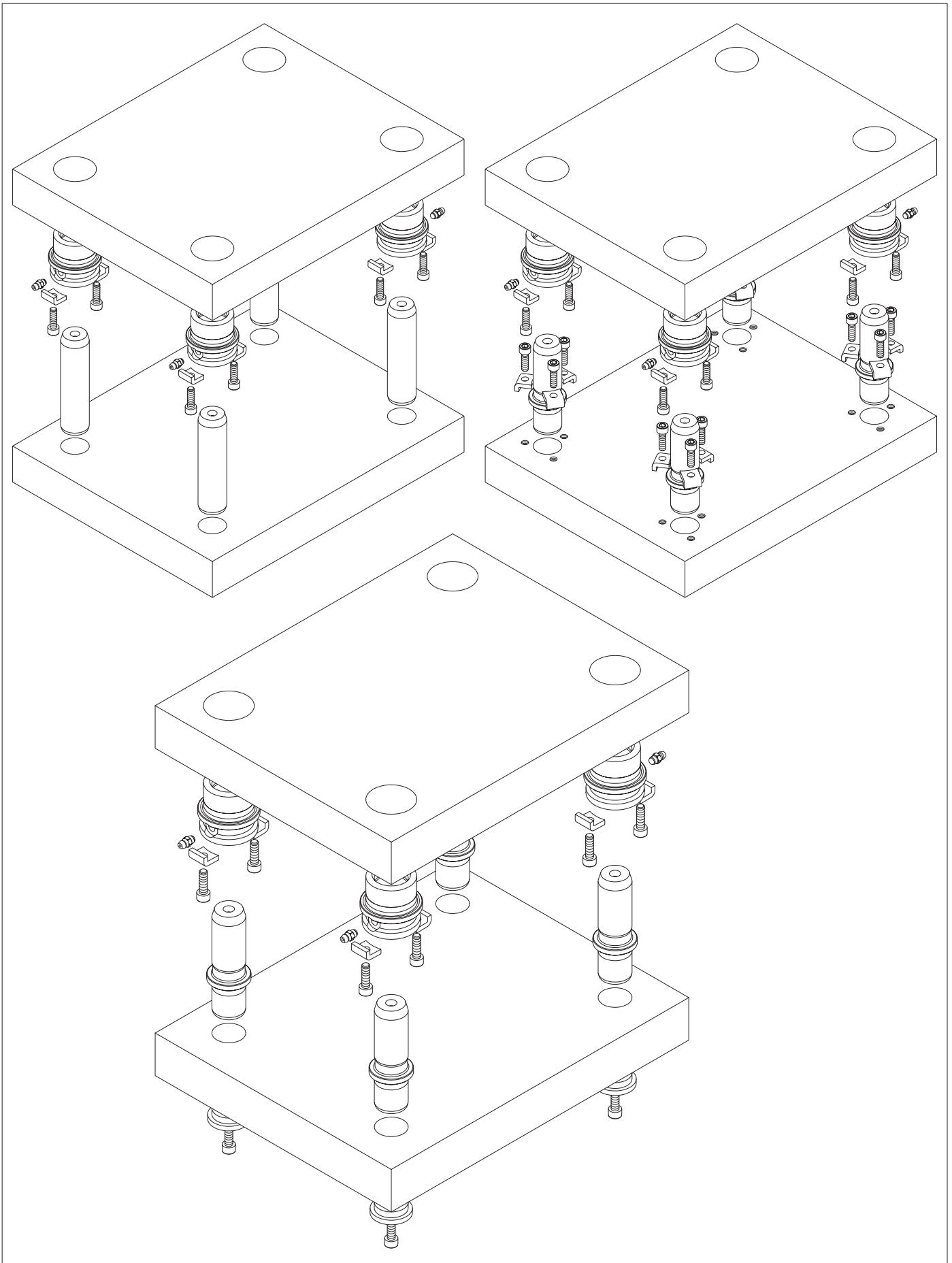
B05.006.001

RETAINER PLUGS



Post Dia.	20	25	32	40	50	63	80
Cat. Nº	P02.020.000	P02.025.000	P02.032.000	P02.040.000	P02.050.000	P02.063.000	P02.080.000
D <sub>1</sub>	5,6	6,8	8,8	10,8	12,8	17,0	21,0
D <sub>2</sub>	9,7	11,2	14,2	17,2	19,2	25,5	31,5
D <sub>3</sub>	19	24	30	38	48	63	80
D <sub>4</sub>	25	32	40	50	63	76	93
a	3,3	5,0					
b	4,2	4,0	7,0	10,0	13,0	19,0	25,0
c	5	6	8	10	12	16	20
d	2,5	3,0	4,0	5,0	6,0	8,0	10,0





## FEATURES OF MDL DEMOUNTABLE STEEL BOSSES

MDL Demountable Steel Bosses are manufactured with mild carbon steel to be use with Guide Posts and and or Demountable Bushings.

They are available in two shapes (Round and Square) and different heights to meet the requirements of Special Die Sets.

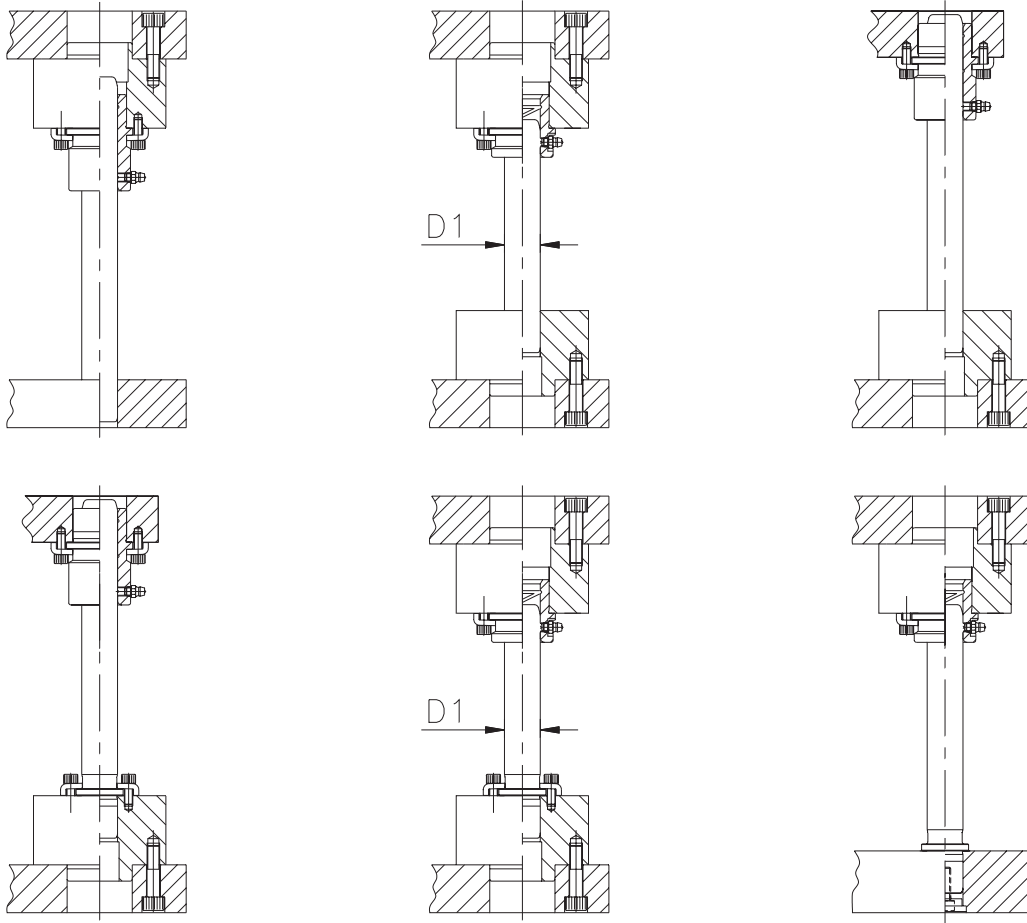
The unique design of those Bosses allows them to be interchangeable and do not require the use of Dowel Pins for their assembly. Those bosses may be disassembly for tool grinding.

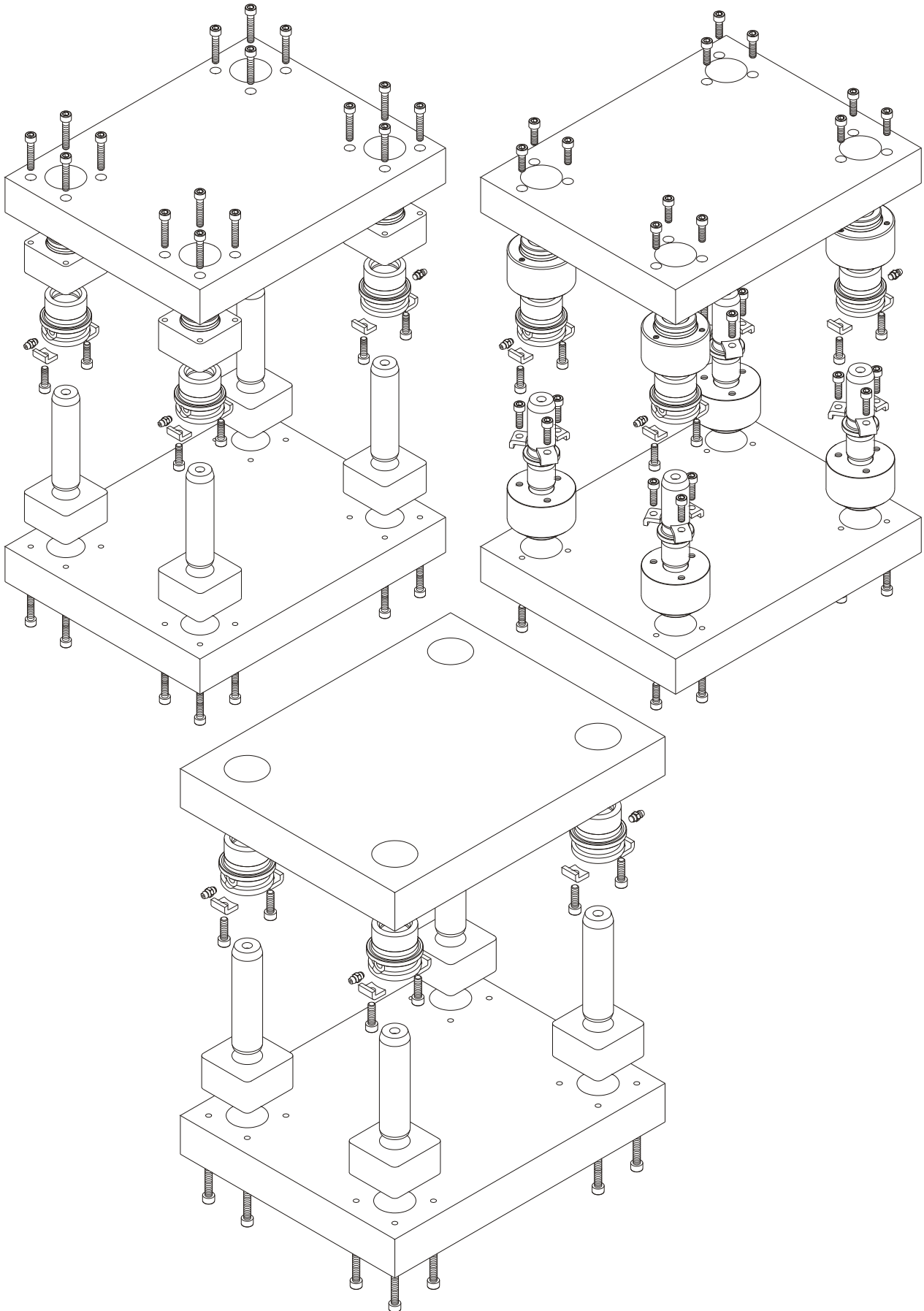
If required, those bosses could be welded to the Die Set after assembly.

The locating diameter on the Bosses for Guide Posts and Demountable Bushings is the same. This allows the two plates of the Die Set to be machined together in a single setup.

MDL Demountable Metric Steel Bosses can also be use with MDL Metric Ball Bering Components shown on MDL Ball Bearing Components catalog. When using with Straight Sleeves or Demountable Ball Bearing Bushings, please contact your MDL representative.

## ASSEMBLY OPTIONS

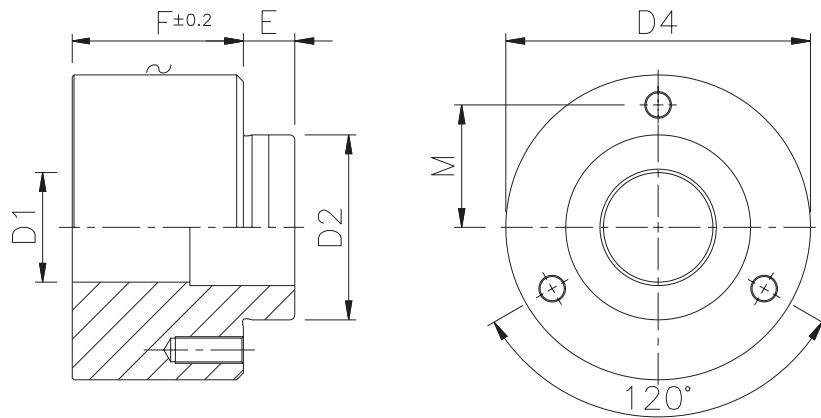
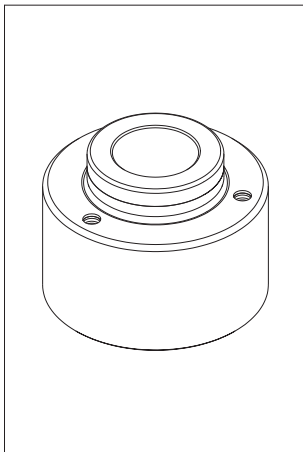






## Demountable Round Steel Bosses

X05.DDD.FFF  
X06.DDD.FFF



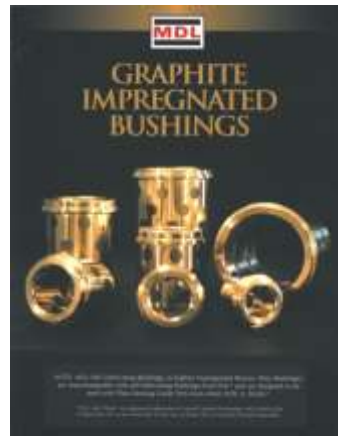
NB: Boss for Guide Post.

D <sub>1</sub>	32	40	50	63	80
----------------	----	----	----	----	----

F	ROUND BOSSES FOR GUIDE POSTS				
40	X05.032.040				
50	X05.032.050				
63		X05.040.063			
80		X05.040.080	X05.050.080		
100			X05.050.100	X05.063.100	
125				X05.063.125	X05.080.125

F	ROUND BOSSES FOR BUSHINGS				
40	X06.032.040				
50	X06.032.050				
63		X06.040.063			
80		X06.040.080	X06.050.080		
100			X06.050.100	X06.063.100	
125				X06.063.125	X06.080.125

DIMENSIONAL DATA					
D <sub>2</sub>	54	65	81	100	118
D <sub>4</sub>	89	102	114	140	165
E	15				
M	35,75	41,75	48,75	60,00	70,75
THREAD	M6	M8			M10



**MDL - Máquinas Danly Ltda.**  
São Paulo - SP - Brazil



**MDL Rodis S.A.S.**  
Soultz - France



**MDL de México S.A. de C.V.**  
México - DF



**MDL Mold & Die Components Inc.**  
Columbus - IN - USA



**Porter Besson S.A.S.**  
Miserey - France



**MDL Mold & Die Components Inc.**  
4520 Progress Drive - Columbus - Indiana 47201 - 8819  
Phone: 1-800-574-0059 or 1-812-373-0021 - Fax: 1-812-373-0042  
[www.mdlcomponents.com-sales1@mdlcomponents.com](http://www.mdlcomponents.com-sales1@mdlcomponents.com)